

Specification

Customer:	
Customer P/O	
DRM Part No	ZYT25-16A
Issue No	DRM-TE U-01-038-A
Issue Date	07/12/2013

Approval items:

- A, Scope
- B, Characteristics
- C, Technical terms
- D, Drawing
- E, Beam Pattern
- F, Test Circuit

Approval signature:

Shenzhen Everon Electronics Co., Ltd

A. Scope

This specification applies Ultrasonic sensor ZYT25-16A

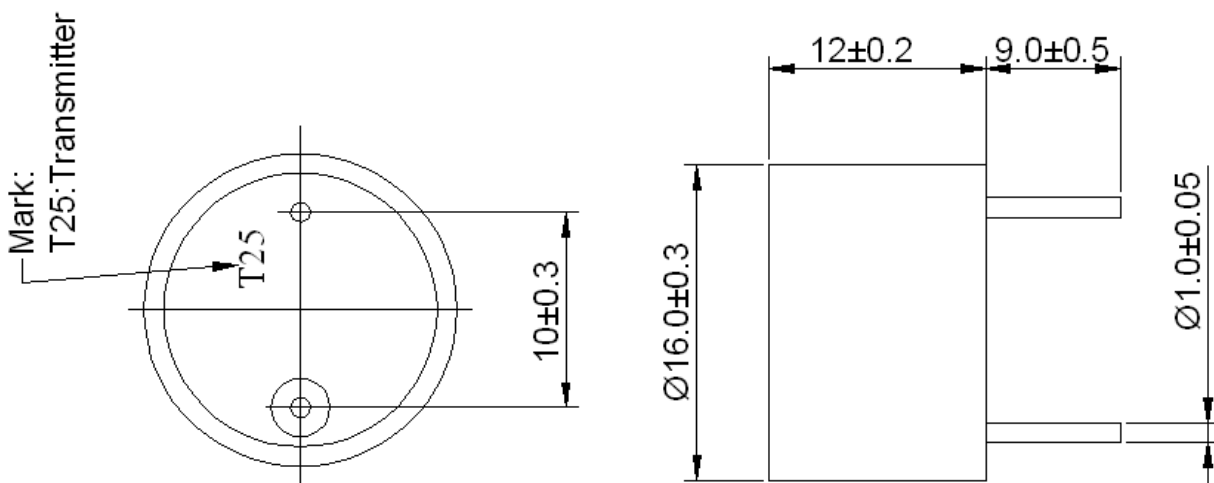
B. Characteristics

- 1.1) Open structure and separate use
- 1.2) Compact and light weight. High reliability
- 1.3) High sensitivity and sound pressure
- 1.4) Less power consumption
- 1.5) RoHS compliance

C. Technical terms

No.	Item	Unit	Specification
1	structure		Open
2	Using method		Transmitter
3	Nominal Frequency	Hz	25K
4	S P L for transmitter	dB	Type 110(10V/30cm/sine wave)
5	Directivity		80deg
6	Capacitance	pF	2300±20%@1KHz
7	Storage Temperature	°C	-30....+85
8	Operating Temperature	°C	-30....+85
9	Housing material		AL
10	Diameter	mm	16

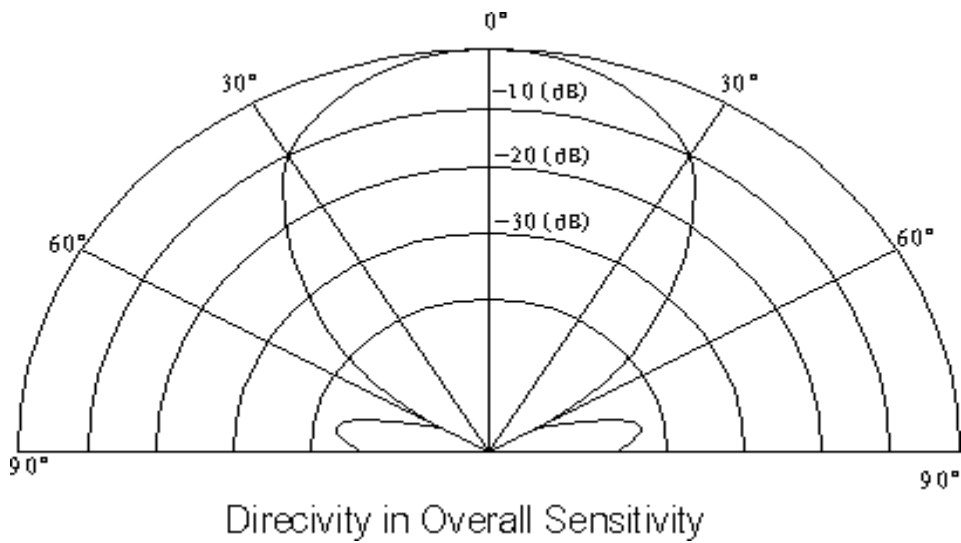
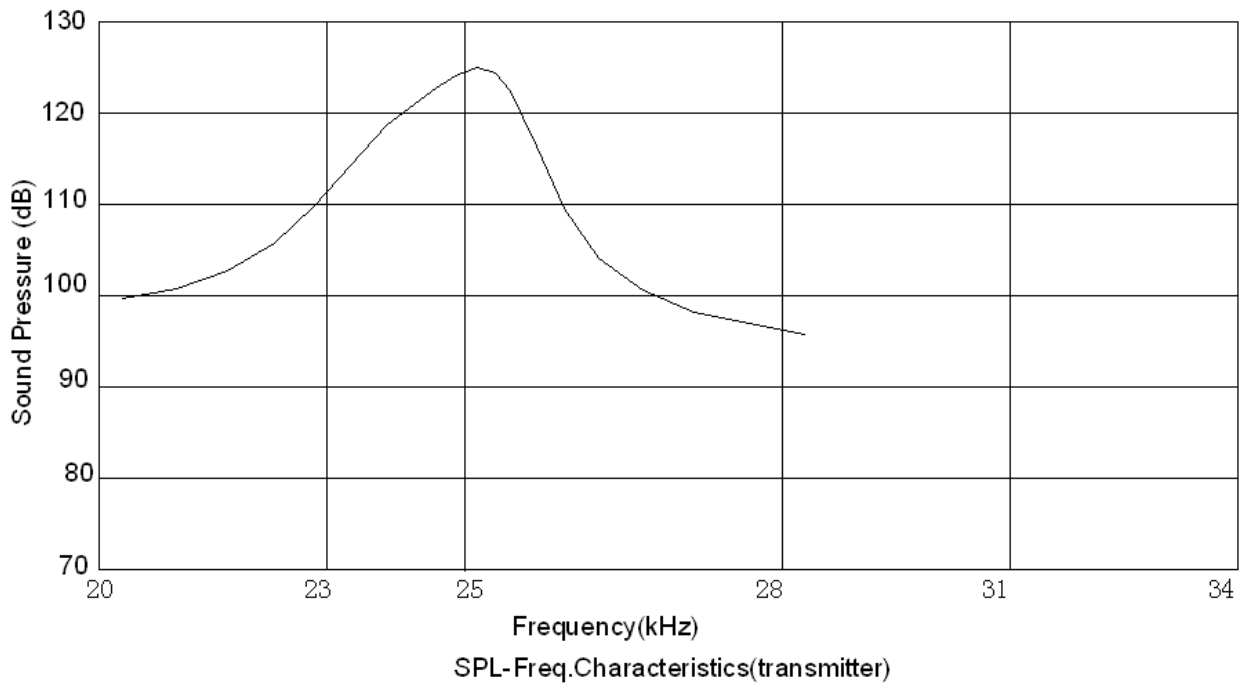
D .Drawing



Tolerance general unless otherwise specified: ± 0.3 mm

unit: mm

E. Beam Pattern



F. Test Circuit

